

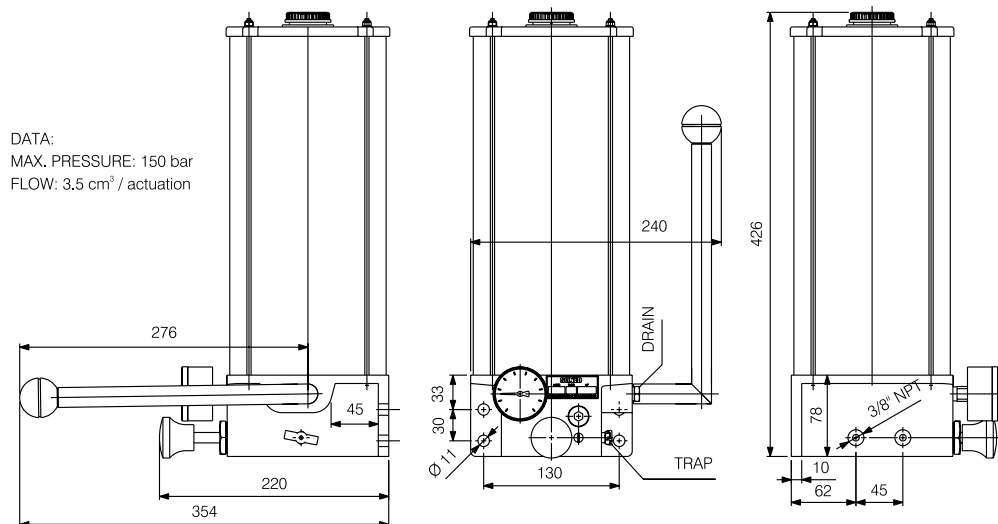
## Oil Lubricating Manual Pump Model BMO

### Description

Pump model BMO was designed to be used in Progressive and Double, centralized systems of oil installations. That is recommended for heavy duty service, superseding automatic pumps serving equipment that does not require too frequent lubrication or to be used as spare pumps of large systems.

The pump model BMO may supplied both with and without manual acted flow inverting valve.

By acting the lever, a double action internal piston moves. This, by its turn, continually pressurizes the lubricant to one of the lines. When desired pressure is reached, inverting valve shall be acted causing the lubricant flow under pressure going to the other line, so operating the dividers.



### Specifications:

Flow / action	3.5 cm <sup>3</sup>
Working pressure	max. 150 kg/cm <sup>2</sup>
Reservoir	5 liters (acrylic)
Lubricant	Oil 50 - 1000 cSt
Temperatures	from -10 °C to +60 °C
Outlet union	3/8 NPT
Assembly	vertical
No. of outlets	1 or 2

### Ordering Code:

Code	Reference	Model
10892	BMO-1001	BMO-1
10893	BMO-1002	BMO-2

Note: With or without manual inverting valve.